



SieboTec

We love to screen

Made in Germany

Trommel screens





SieboTec

The machine's manufacturer SieboTec is located in the heart of Westphalia, Germany where high-quality steel is processed into innovative **trommel screens** that are in demand worldwide.

The idea of SieboTec is sustainability with the production "Made in Germany" and during

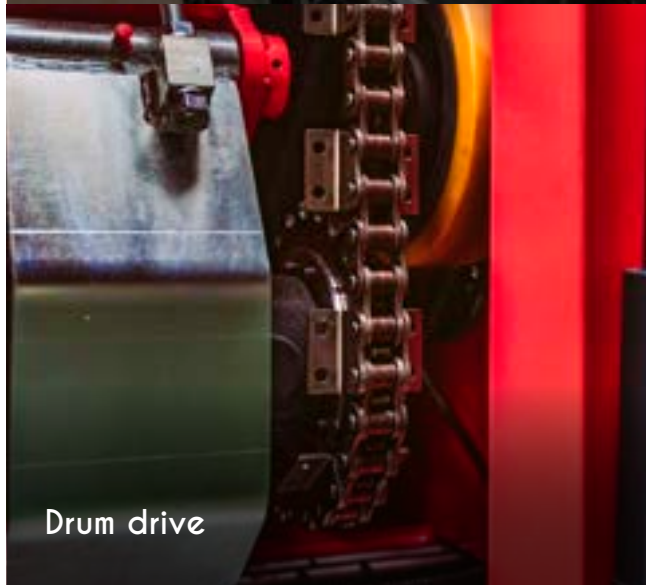
the machine's life, outstanding user-friendliness, low service- and maintenance-costs as well as extremely low fuel consumption.

With decades of experience within the industry our team always puts the customers and their demands first.





Benefits of our "Siebo" machines



Siebo 5000

➤ The outstanding, fully mobile trommel screen in the 5-m-class ◀

With a drum diameter of 2,000 mm and a hopper capacity of 6 m³, as well as conveyor belt discharge heights of 3,500 mm, the **Siebo 5000** trommel screen leaves nothing to be desired. We proudly offer you a high quality product “**Made in Germany**” which integrates a lot of detailed solutions which were developed by our passionate team based on the valuable and practice-oriented input of our customers.

3,500 mm
discharge
height

4,000 mm
hopper width,
6 m³ capacity

Low-noise,
powerful
drum drive

Also available:



Purely
electric drive

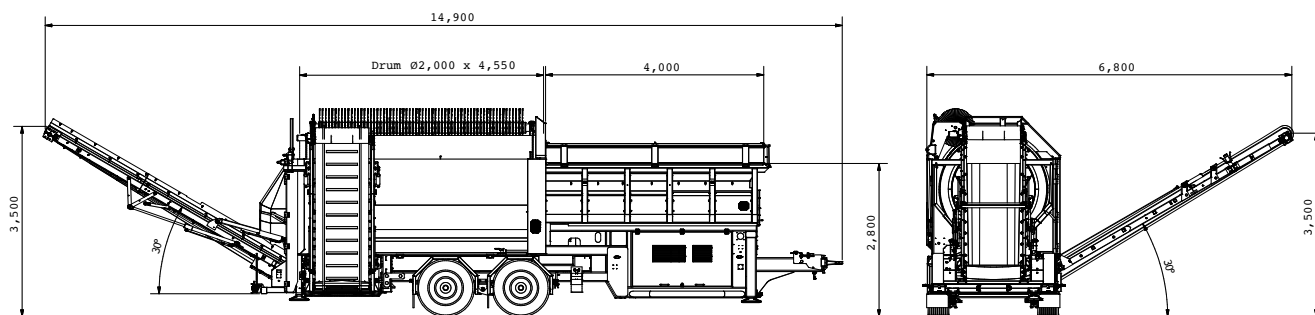


Hybrid drive
(diesel/electric)



Stationary
machine

www.siebotec.com



Chassis

Admissible total weight 16,000 kg
 Pintle hitch 40 and 50 mm

Outer dimensions (transport)

Machine length 11,000 mm
 Machine width 2,550 mm
 Machine height 4,000 mm

Hopper

Capacity approx. 6 m³
 Height 2,800 mm
 Width 4,000 mm

Drum

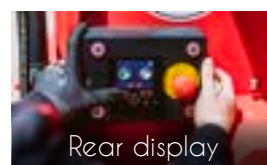
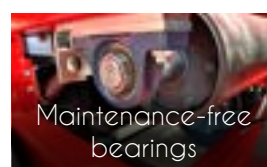
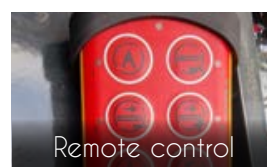
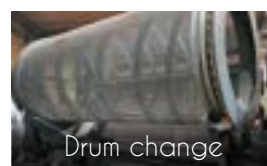
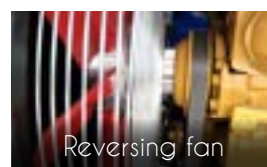
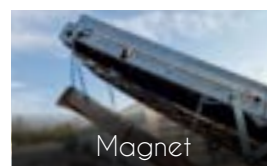
Length 4,550 mm
 Diameter 2,000 mm

Conveyor belts

Fine grain belt length 7,200 mm
 Fine grain belt width 1,000 mm
 Discharge height (30°) 3,500 mm
 Coarse grain belt length 5,500 mm
 Coarse grain belt width 1,000 mm
 Discharge height (30°) 3,500 mm

Drive

Power 55 kW
 Emission class EU stage V
 EPA Tier 4 final



Siebo 6000

> New standards
in the 6-m-class <



Chassis

Admissible total weight	19,000 kg
Pintle hitch	40 and 50 mm

Outer dimensions (Transport)

Machine length	12,000 mm
Machine width	2,550 mm
Machine height	4,000 mm

Hopper

Capacity	approx. 6.5 m ³
Height	2,830 mm
Width	4,000 mm

Drum

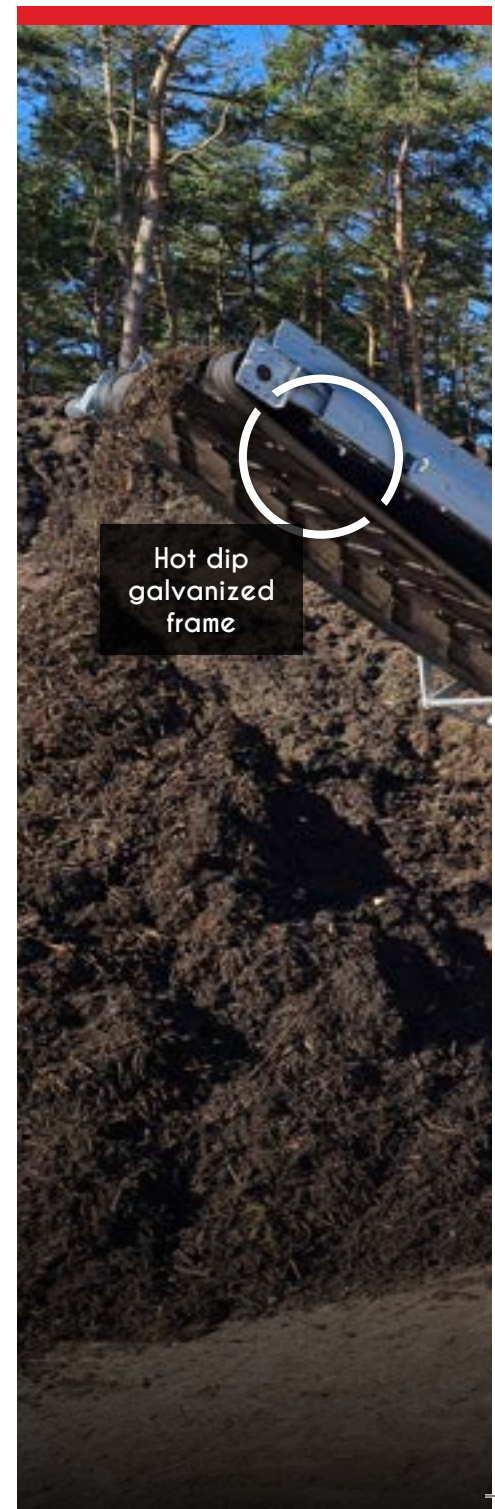
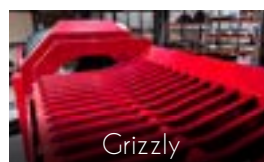
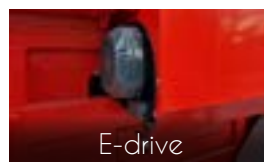
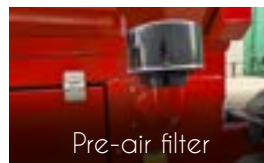
Length	5,500 mm
Diameter	2,200 mm

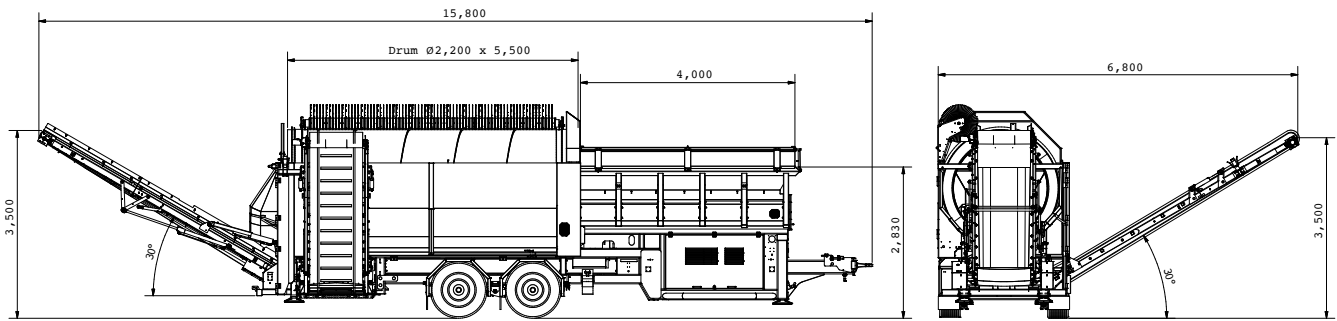
Conveyor belts

Fine grain belt length	7,200 mm
Fine grain belt width	1,000 mm
Discharge height (30°)	3,500 mm
Coarse grain belt length	5,500 mm
Coarse grain belt width	1,000 mm
Discharge height (30°)	3,500 mm

Drive

Power	55 kW
Emission class	EU stage V EPA Tier 4 final





With a drum diameter of 2,200 mm and a hopper capacity of 6,5 m³, as well as conveyor belt discharge heights of 3,500 mm, the **Siebo 6000** is a benchmarking machine. It enables a high throughput performance at low operating costs. Innovative in its class is

the latest **emissions technology EU stage V/EPA Tier 4 final without Adblue**. Sustainability is a top priority in production and during operation. This is underlined by the high quality "Made in Germany", its service-/repairfriendliness and the low operating costs.



Also available:



Purely **electric** drive



Hybrid drive
(diesel/electric)



Stationary
machine



SieboTec

SieboTec GmbH

Krummerweg 18
59329 Wadersloh . Germany

t. +49 2523 954484-0

e. info@siebotec.com

Sales

Malte Herrmann

t. +49 151 51045702

e. m.herrmann@siebotec.com



Spare parts & Service

Feel free to contact us if you need an expert for trommel screens of any manufacturer.

We perform all mandatory service jobs, find and repair defects or execute a complete machine overhaul. We are at your service, when you need us.

e. parts@siebotec.com



www.siebotec.com



We love to screen
...worldwide

